

# Rotech Seiko PP108

**Versatile piezo print system, ideal for printing at high-speeds.**

With a maximum print height of 108mm the Seiko PP108 has the largest print area of the printers in Rotech's range. It utilises the latest advances in printing technology, producing crystal clear, line-free prints at high speeds. Its benefits include:



## High-resolution

Superb print quality at 360 dpi and grey-scale printing capabilities. From fine text to logos and verifiable barcodes.



## High speed

Lightning print speeds. Easy startup and shutdown procedures mean maximum production uptime.



## Easy integration

Mineral oil-free ink – prevents contamination of the packaging and the environment.



## Reduces waste

Only print stock you need, when you need it. Reduces human errors and waste associated with labelling.

## Integrate the PP108 into your production line

Automatic pressurisation adjustment allows the print head to be placed in many ways to meet unique applications. This also allows it to be easily integrated into existing lines.



The PP108 is compact, easy to integrate and will work smoothly alongside a range of packaging machinery, including:

- **Flow wrappers**

---

- **Conveyors**

---

- **Case sealers**

---

- **Off-line feeding systems**

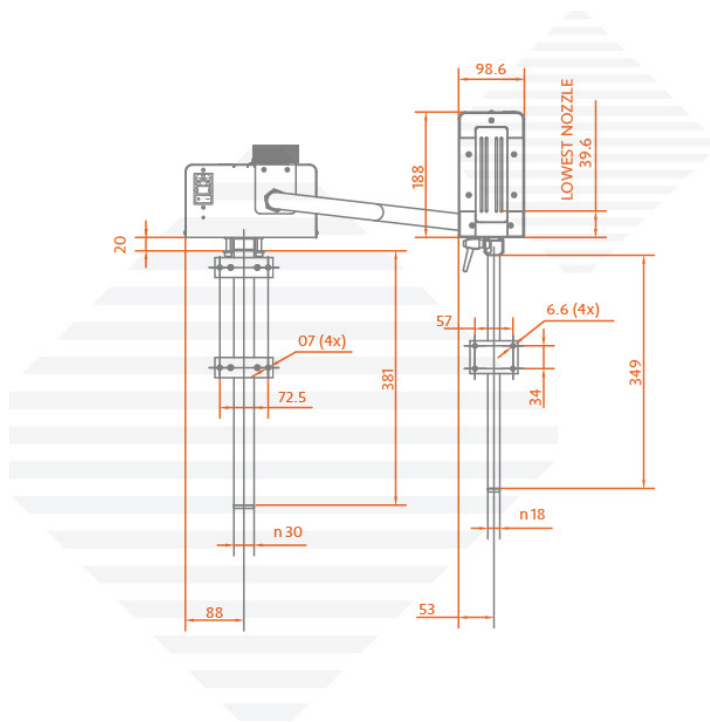
---

# PP108 Bi-colour

The PP108 bi-colour prints black/red up to 108mm high on porous substrates, such as paper, card and timber. It is an ideal solution for printing graphics, including hazard symbols and logos but is also well-suited for alphanumeric text.

**To book a free demonstration, call +44 (0) 1707 393 700**

or email [sales@rotechmachines.com](mailto:sales@rotechmachines.com)



## SPECIFICATIONS

Seiko PP108

Print technology	Piezo
Max print height	108mm
Ink delivery system	POZIFLOW™
Ink tank capacity	700ml
Print head dimensions (L x W x H)	240 x 195 x 110 mm
Controller dimensions (L x W x H)	142 x 95 x 185 mm
IP Rating	IP40

## SOFTWARE VERSIONS

	Print	Basic	Advanced	Pro	Ultimate
Max. print speed (m/min)	30	30	60	90	150
Max. print resolution vertical	180/360 dpi	180/360 dpi	180/360 dpi	180/360 dpi	180/360 dpi
Max. print resolution horizontal	360 dpi	360 dpi	360 dpi	360 dpi	360 dpi
Max. text length	0.97 meter	0.97 meter	0.97 meter	0.97 meter	0.97 meter
Text field	✓	✓	✓	✓	✓
Counter	-	-	✓	✓	✓
Time	-	✓	✓	✓	✓
Date field	-	✓	✓	✓	✓
Date offset	-	-	✓	✓	✓
Logo	✓	✓	✓	✓	✓
Variable input	-	-	HMI/Vivid	HMI/Vivid	HMI/Vivid
Action field	-	-	✓	✓	✓
1D-Code	-	-	✓	✓	✓
2D-Code	-	-	-	✓	✓
Data transfer per USB stick	✓	✓	✓	✓	✓
Ethernet	✓	✓	✓	✓	✓
Password protection	-	-	-	-	✓
Configurable in-/outputs	-	-	-	✓	✓
DBPrint	-	-	-	✓	✓

To book a free demonstration, call +44 (0) 1707 393 700  
or email sales@rotechmachines.com